



IQAN-LSL Input Devices

Electronic Control Systems



ENGINEERING YOUR SUCCESS.

Application

The IQAN-LSL is a lever in the IQAN product group. This lever focuses on compact design, weather resistance and safety.

The LSL is a single-axis joystick, 0.5 - 4.5 Vdc, intended for the proportional control of one double-acting hydraulic function. The lever has several options including a manual neutral detent and a switch in the top of the handle. For 24V systems there are solenoid detent options at full stroke in either the B (minus) direction or both A (plus) and B (minus) directions. A solenoid detent at 75% in the B (minus) direction is also available.

The LSL can be mounted in the armrest or on the dashboard in mobile vehicles. It has a comfortable grip and is easily actuated for good ergonomics.

Design and function

The IQAN-LSL is lightweight with small installation dimensions. The ergonomic design gives a good support to the arms and wrists and assures a comfortable grip from several angles. Mounting screws are installed from underneath for a clean appearance of dashboard, panel or armrest.

The IQAN-LSL has an IP65 rating above the flange and the cable has a choice of either a Saab sealed AMP junior-power timer connector or a Deutsch DT series transportation connector. This unit is designed for the outdoor environment.

The IQAN-LSL is a spring centered, dual sensor device. The optional switch in the top of the handle can be used to detect operator presence. For different application needs there are two options for the locking force of the electrical detent function. The higher locking force detent version has a stronger pre-feeling resistance for operator detection of the lever stroke condition.

The dual sensors provide 0.5 - 4.5 Vdc and 4.5 - 0.5 Vdc outputs which allows error checking to meet high safety requirements. All inputs and outputs are protected against short circuit to ground. The LSL is well suited as a control unit for a variety of valve drivers. The LSL fits to the IQAN platform and is designed to meet typical environmental stresses in mobile hydraulic applications.

EN 13849-1

MTTFd and failure mode distribution available on request.

General

Weight	0.22 Kg
Rated power supply (V _s)	5 Vdc
Load resistive (min.)	4.5K Ω
Load capacitive (max.)	1 μF
Current consumption	16 mA

Mechanical

Angle of movement	±20°
Expected life (operations)	5 million
Detented versions (Lx)	2 million

Environment

Operating temperature	-40° to 70 °C
Sealing above the flange	IP65
Sealing with DN option	IP44

Analog outputs

Active range (VDC out)	10%-90% V _s
Resolution	<2 mV

Digital output option

Handle switch, top	V _{BAT} (+12V, +24V)
Max load current, DOUT	200 mA

Other options

No handle	U0 variant
Mechanical detent	Neutral only
Solenoid detents	V _{BAT} (+24V only)
Detent index force	
L1/L2	9 N @ 100 mm
L4/L5	13 N @ 100 mm

Connectors

S	Saab (AMP/Tyco JPT)
D	Deutsch DT

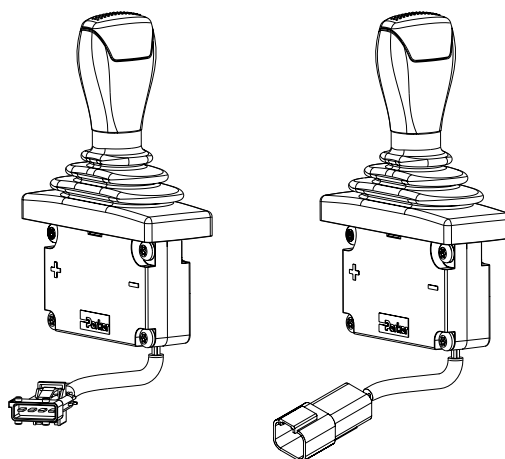
Ordering part numbers

IQAN-LSL-E0-//-/-S	20011365
IQAN-LSL-E0-//-/-D	20014069
IQAN-LSL-E0-DN-//-S	20011366
IQAN-LSL-E0-//-L1-S	20011367
IQAN-LSL-E0-//-L1-D	20077789
IQAN-LSL-E0-//-L2-S	20011368
IQAN-LSL-E0-//-L2-D	20070174
IQAN-LSL-E0-//-L3-S	20011369
IQAN-LSL-E0-//-L4-D	20077714
IQAN-LSL-E0-//-L5-D	20077715
IQAN-LSL-E1-//-/-S	20011370
IQAN-LSL-E1-//-/-D	20077749
IQAN-LSL-E1-DN-//-S	20011371
IQAN-LSL-E1-//-L1-D	20076217
IQAN-LSL-E1-//-L2-D	20076218
IQAN-LSL-E1-//-L3-D	20076219
IQAN-LSL-E1-//-L4-D	20077706
IQAN-LSL-E1-//-L5-D	20077707
IQAN-LSL-U0-//-L4-D	20077769
IQAN-LSL-U0-//-L5-D	20077770

Descriptions

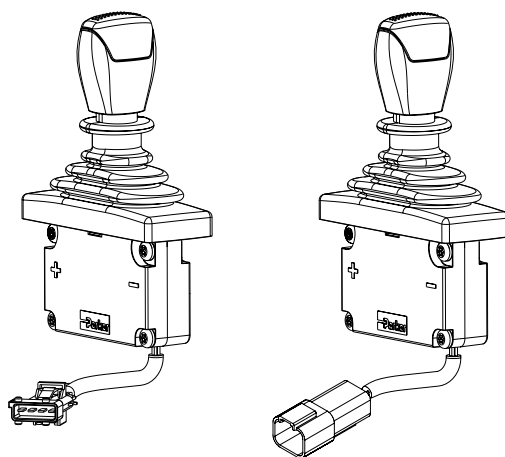
IQAN - LSL - E0 - // - // - /

The basic version of the LSL has a single cable with a sealed 4 position connector. The range for Output A is 0.5 to 4.5Vdc and the range for Output B is 4.5 to 0.5Vdc.



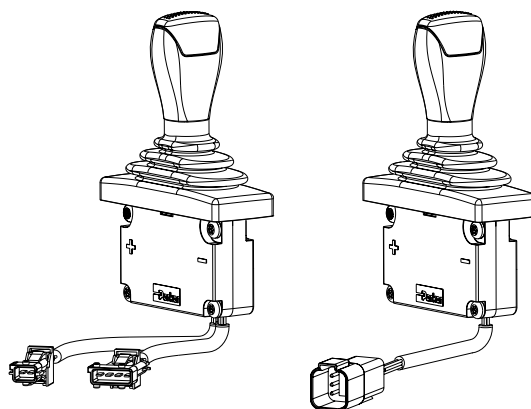
IQAN - LSL - E0 - DN - // - /

This version of the LSL has a single cable with a sealed 4 position connector. The range for Output A is 0.5 to 4.5Vdc and the range for Output B is 4.5 to 0.5Vdc. There is a spring loaded manual detent that must be disengaged to move the handle away from the center (neutral) position.



IQAN - LSL - E0 - // - Lx - /

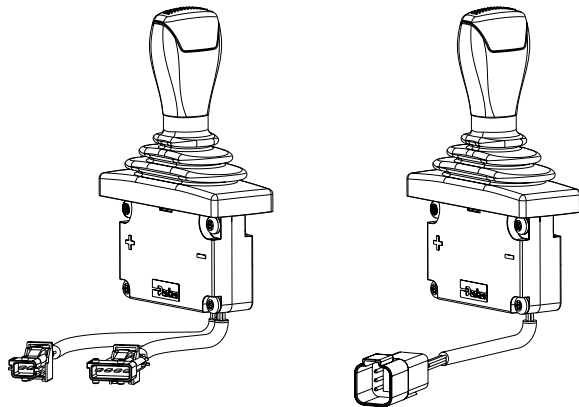
The -S version of this LSL has two cables. The main cable has a sealed Saab (AMP/Tyco JPT) 4 position connector. The second cable is for the electrical detent option and has a sealed Saab (AMP/Tyco JPT) 2 position connector. Two versions of locking force for the electrical detent function are offered. The range for Output A is 0.5 to 4.5Vdc and the range for Output B is 4.5 to 0.5Vdc. The electrical detent supply is from V_{BAT} (option offered in 24V only). The -D version has a single 6 position Deutsch DT connector.



Descriptions

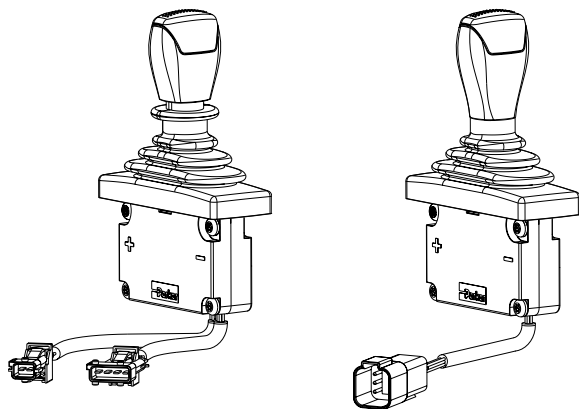
IQAN - LSL - E1 - //-//-/

The -S version of this LSL has two cables. The main cable has a sealed Saab (AMP/Tyco JPT) 4 position connector. The second cable is for the switch option and has a sealed Saab (AMP/Tyco JPT) 2 position connector. The range for Output A is 0.5 to 4.5Vdc and the range for Output B is 4.5 to 0.5Vdc. The switch supply is from V_{BAT} . The -D version has a single 6 position Deutsch DT connector.



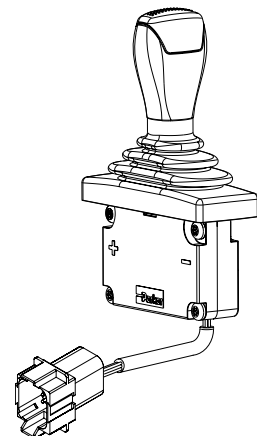
IQAN - LSL - E1 - DN -//-/

The -S version of this LSL has two cables. The main cable has a sealed Saab (AMP/Tyco JPT) 4 position connector. The second cable is for the switch option and has a sealed Saab (AMP/Tyco JPT) 2 position connector. The range for Output A is 0.5 to 4.5Vdc and the range for Output B is 4.5 to 0.5Vdc. There is a spring loaded manual detent that must be disengaged to move the handle away from the center (neutral) position. The -D version has a single 6 position Deutsch DT connector.



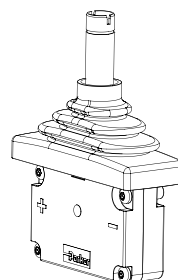
IQAN - LSL - E1 - //-Lx - D

This type of LSL is only available in the -D version. The cable has a sealed 8 position Deutsch DT connector. 4 positions are used for the lever power supply and outputs. The other 4 positions are for the switch and electrical detent options. The switch and the detent each use 2 positions in the connector. The range for Output A is 0.5 to 4.5Vdc and the range for Output B is 4.5 to 0.5Vdc. Two versions of locking force for the electrical detent function are offered. The switch supply is from V_{BAT} and the electrical detent supply is from V_{BAT} (option offered in 24V only).



IQAN - LSL - U0 - //-//-/

This type of LSL is supplied without a handle. The no handle variant can have any of the connector and detent options listed in the previous descriptions. The models that are available for ordering are listed in the 'Ordering part numbers' table. The customer is responsible for a mating handle design that properly fits the bellows and is sealed.



Model code

IQAN - LSL - E0 - // - // - /

Code	Description
E0	standard handle
E1	handle w/ button
U0	no handle

Code	Description
DN	Detent, neutral
//	no option

Code	Description
S	Saab (AMP/Tyco JPT)
D	Deutsch DT

Code	Description
L1	1 solenoid detent, (-) direction std. index force*
L2	2 solenoid detents, (+) and (-) std. index force
L3	1 solenoid detent, (-) direction, 75%, no index
L4	1 solenoid detent, (-) direction high index force
L5	2 solenoid detents, (+) and (-) high index force
//	no option

*-The term index force refers to the increased force or 'pre-feeling' at the end of stroke just before the detent engages.

Note:

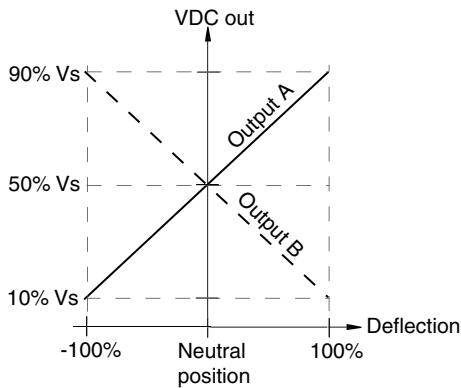
Not all option combinations are supported with ordering part numbers. The most commonly requested models are available for ordering.

Outputs

The graph below demonstrates the mirrored voltage outputs. Output A is 10% - 90% V_s and Output B is 90% - 10% V_s .

With a nominal 5Vdc supply, the range for Output A is 0.5 to 4.5Vdc and the range for Output B is 4.5 to 0.5Vdc.

Deflection vs. output diagram



Environmental Protection

EMI

ISO 14982:1998, Radiated emission
EN 55022:2003, Conducted emission
ISO 11452-2:1995, Radiated Susceptibility
ISO 11452-4:2001, Conducted Susceptibility
ISO7637-3:1995, Conducted transient susceptibility
EN 61000-4-8:, Magnetic immunity

ESD

EN 61000-4-2, external
ISO TR 10605:2001, ESD

Mechanical environment

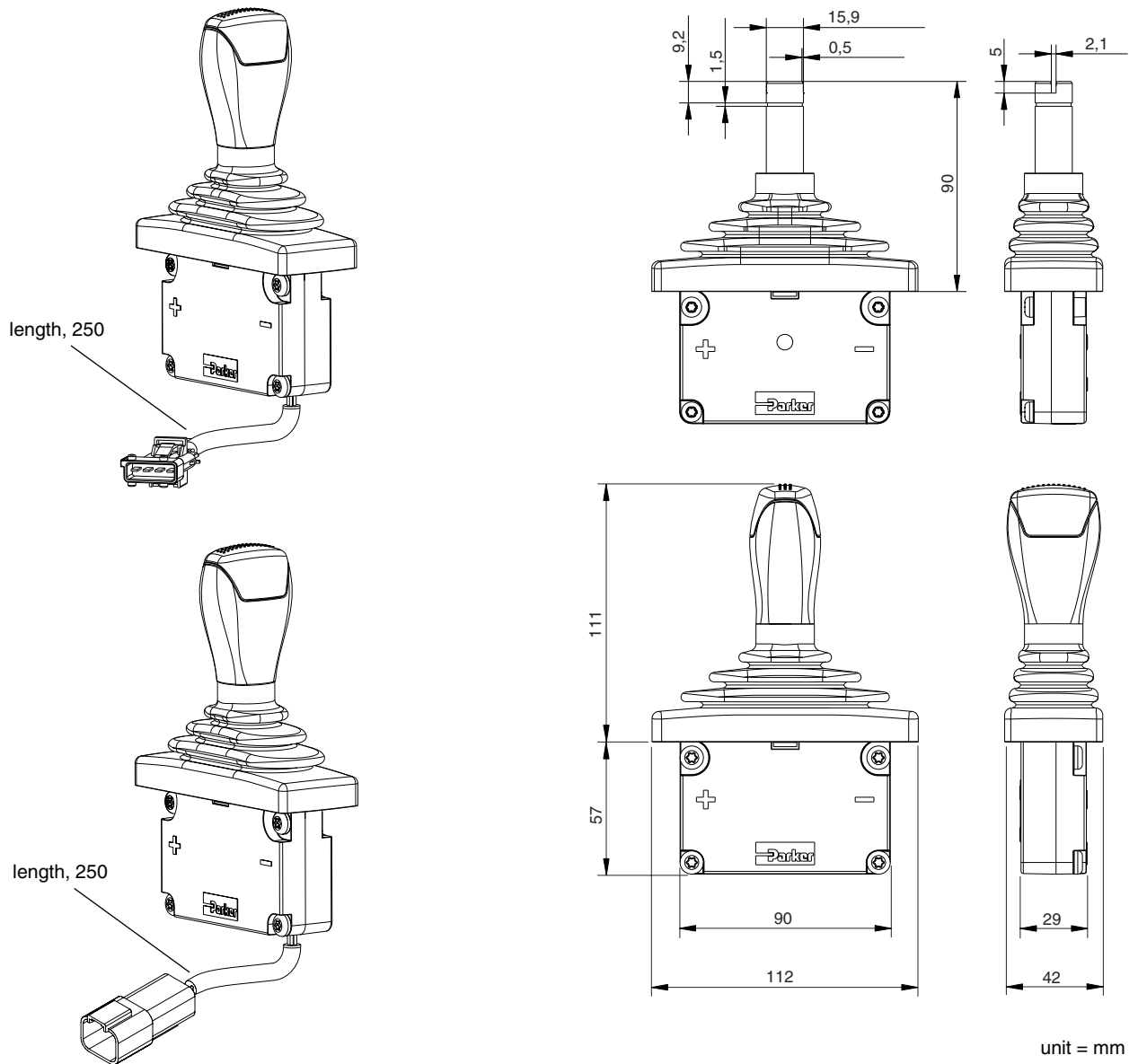
IEC 60068-2-64:1993 Fh, random
IEC 60068-2-29:1987 Eb, bump

Climate environment

IEC 60068-2-1:1993 Ab, cold
IEC 60068-2-2:1993-01 Bb, heat
IEC 60068-2-3 Ca, damp heat, steady
IEC 60068-2-14:1984 Nb, temperature change
IEC 60068-2-18 Rb2, IEC60529, IP65
IEC 60068-2-30:1985 Db, damp heat, cyclic

Chemical environment

IEC 60068-2-52:1996 Kb salt mist, cyclic



! WARNING

FAILURE OR IMPROPER SELECTION OR IMPROPER USE OF THE PRODUCTS AND/OR SYSTEMS DESCRIBED HEREIN OR RELATED ITEMS CAN CAUSE DEATH, PERSONAL INJURY AND PROPERTY DAMAGE.

This document and other information from Parker Hannifin Corporation, its subsidiaries and authorized distributors provide product and/or system options for further investigation by users having technical expertise. It is important that you analyze all aspects of your application, including consequences of any failure, and review the information concerning the product or system in the current product catalogue. Due to the variety of operating conditions and applications for these products or systems, the user, through its own analysis and testing, is solely responsible for making the final selection of the products and systems and assuring that all performance, safety and warning requirements of the application are met.

The products described herein, including without limitation, product features, specifications, designs, availability and pricing, are subject to change by Parker Hannifin Corporation and its subsidiaries at any time without notice.

Offer of Sale

Please contact your Parker representation for a detailed "Offer of Sale".

Parker Worldwide

Europe, Middle East, Africa

AE – United Arab Emirates,
Dubai

Tel: +971 4 8127100
parker.me@parker.com

AT – Austria, Wiener Neustadt

Tel: +43 (0)2622 23501-0
parker.austria@parker.com

AT – Eastern Europe, Wiener
Neustadt

Tel: +43 (0)2622 23501 900
parker.easteurope@parker.com

AZ – Azerbaijan, Baku

Tel: +994 50 22 33 458
parker.azerbaijan@parker.com

BE/LU – Belgium, Nivelles

Tel: +32 (0)67 280 900
parker.belgium@parker.com

BG – Bulgaria, Sofia

Tel: +359 2 980 1344
parker.bulgaria@parker.com

BY – Belarus, Minsk

Tel: +48 (0)22 573 24 00
parker.poland@parker.com

CH – Switzerland, Etoy

Tel: +41 (0)21 821 87 00
parker.switzerland@parker.com

CZ – Czech Republic, Klecany

Tel: +420 284 083 111
parker.czechrepublic@parker.com

DE – Germany, Kaarst

Tel: +49 (0)2131 4016 0
parker.germany@parker.com

DK – Denmark, Ballerup

Tel: +45 43 56 04 00
parker.denmark@parker.com

ES – Spain, Madrid

Tel: +34 902 330 001
parker.spain@parker.com

FI – Finland, Vantaa

Tel: +358 (0)20 753 2500
parker.finland@parker.com

FR – France, Contamine s/Arve

Tel: +33 (0)4 50 25 80 25
parker.france@parker.com

GR – Greece, Athens

Tel: +30 210 933 6450
parker.greece@parker.com

HU – Hungary, Budaoers

Tel: +36 23 885 470
parker.hungary@parker.com

IE – Ireland, Dublin

Tel: +353 (0)1 466 6370
parker.ireland@parker.com

IT – Italy, Corsico (MI)

Tel: +39 02 45 19 21
parker.italy@parker.com

KZ – Kazakhstan, Almaty

Tel: +7 7273 561 000
parker.easteurope@parker.com

NL – The Netherlands, Oldenzaal

Tel: +31 (0)541 585 000
parker.nl@parker.com

NO – Norway, Asker

Tel: +47 66 75 34 00
parker.norway@parker.com

PL – Poland, Warsaw

Tel: +48 (0)22 573 24 00
parker.poland@parker.com

PT – Portugal

Tel: +351 22 999 7360
parker.portugal@parker.com

RO – Romania, Bucharest

Tel: +40 21 252 1382
parker.romania@parker.com

RU – Russia, Moscow

Tel: +7 495 645-2156
parker.russia@parker.com

SE – Sweden, Spånga

Tel: +46 (0)8 59 79 50 00
parker.sweden@parker.com

SK – Slovakia, Banská Bystrica

Tel: +421 484 162 252
parker.slovakia@parker.com

SL – Slovenia, Novo Mesto

Tel: +386 7 337 6650
parker.slovenia@parker.com

TR – Turkey, Istanbul

Tel: +90 216 4997081
parker.turkey@parker.com

UA – Ukraine, Kiev

Tel: +48 (0)22 573 24 00
parker.poland@parker.com

UK – United Kingdom, Warwick

Tel: +44 (0)1926 317 878
parker.uk@parker.com

ZA – South Africa, Kempton Park

Tel: +27 (0)11 961 0700
parker.southafrica@parker.com

North America

CA – Canada, Milton, Ontario

Tel: +1 905 693 3000

US – USA, Cleveland

(industrial)
Tel: +1 216 896 3000

US – USA, Elk Grove Village

(mobile)
Tel: +1 847 258 6200

Asia Pacific

AU – Australia, Castle Hill

Tel: +61 (0)2-9634 7777

CN – China, Shanghai

Tel: +86 21 2899 5000

HK – Hong Kong

Tel: +852 2428 8008

ID – Indonesia, Tangerang

Tel: +62 21 7588 1906

IN – India, Mumbai

Tel: +91 22 6513 7081-85

JP – Japan, Fujisawa

Tel: +81 (0)4 6635 3050

KR – South Korea, Seoul

Tel: +82 2 559 0400

MY – Malaysia, Shah Alam

Tel: +60 3 7849 0800

NZ – New Zealand, Mt Wellington

Tel: +64 9 574 1744

SG – Singapore

Tel: +65 6887 6300

TH – Thailand, Bangkok

Tel: +662 186 7000

TW – Taiwan, New Taipei City

Tel: +886 2 2298 8987

VN – Vietnam, Ho Chi Minh City

Tel: +84 8 3999 1600

South America

AR – Argentina, Buenos Aires

Tel: +54 3327 44 4129

BR – Brazil, Cachoeirinha RS

Tel: +55 51 3470 9144

CL – Chile, Santiago

Tel: +56 2 623 1216

MX – Mexico, Toluca

Tel: +52 72 2275 4200



EMEA Product Information Centre

Free phone: 00 800 27 27 5374

(from AT, BE, CH, CZ, DE, DK, EE, ES, FI, FR, IE, IL,
IS, IT, LU, MT, NL, NO, PL, PT, RU, SE, SK, UK, ZA)

US Product Information Centre

Toll-free number: 1-800-27 27 537

www.parker.com

Your local authorized Parker distributor